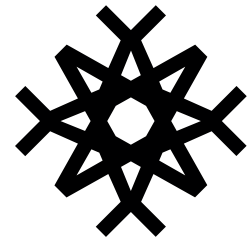



WATER-POWERED DRILLING

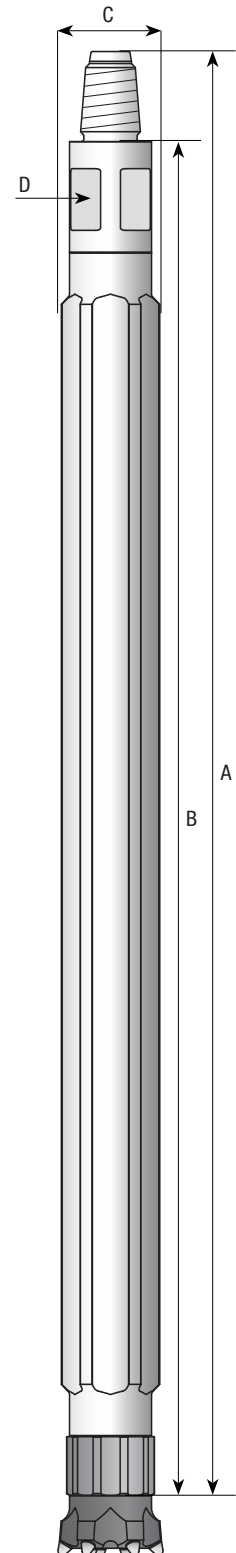
TECHNICAL SPECIFICATION: W70 HAMMER



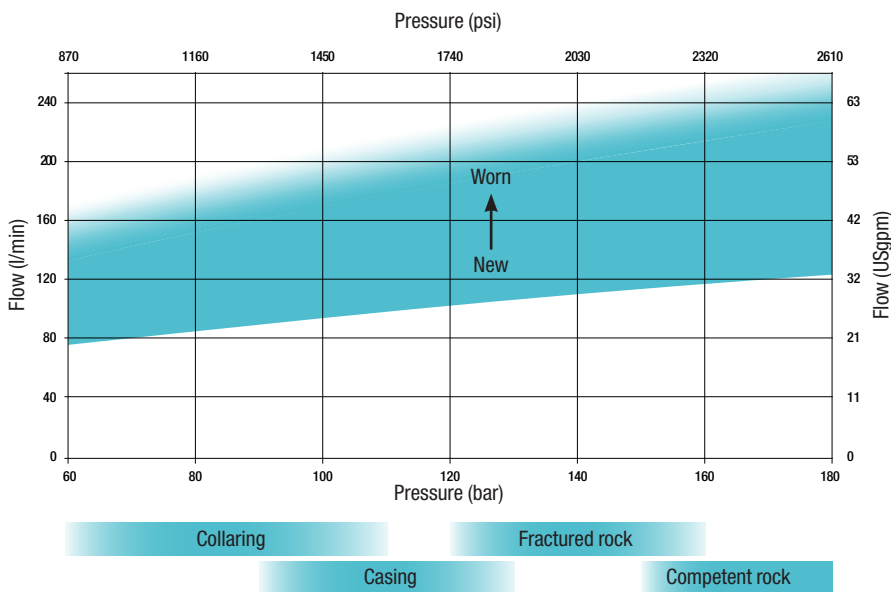
Wassara

The Wassara technology uses water to power the DTH hammer. This makes it the ideal choice for drilling in sensitive areas as well as for drilling long straight holes. The water-powered hammer is capable of penetrating almost any formation while maintaining speed and accuracy.

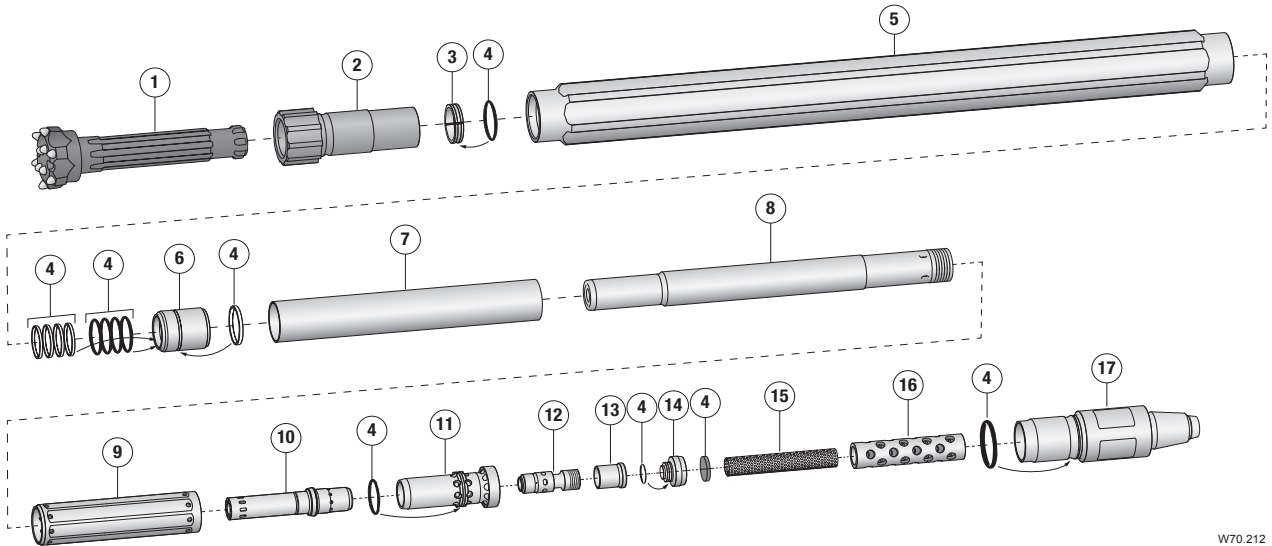
Technical specifications – W70.212	
Length A	1 171 mm (46")
Length B	1 098 mm (43")
Diameter C	Ø 78 / 85 mm (3.1 / 3.3")
Size D 	60 mm (2.4")
Weight	23 kg (50.7 lbs)
Bit diameter	Ø 82 / 89 mm (3.2 / 3.5")
Operating pressure interval	60 - 180 bar (870 - 2 610 psi)
Water consumption interval	80 - 270 l/min (35 - 70 USgpm) new to worn
Frequency at maximum operating pressure	70 Hz (4 200 blows/min)
Feed force, formation dependant	7 000 - 10 000 N (1 575 - 2 250 lbf)
Rotation speed, formation dependant	80 - 120 rpm
Rotation torque, formation dependant	800 - 1 500 Nm (590 - 1 100 lbf-ft)
Drill rod	Wassara Drill rod Ø 63.5 mm (2.5"), Thread WT70
Recommended water pump	WASP100D / WASP100E VSD 360 l/min (95 USgpm) @ 200 bar (2 900 psi)
Bit shank	W-Bit 70



WATER PRESSURE/FLOW CHART



PARTS LIST: W70.212



W70.212

Pos	Detail	Part no
	Hammer W70, Ø 78 mm	1002810-78
	Hammer W70, Ø 85 mm	1002810-85
1	Drill bit Ø 82 mm Convex SB	3000196
	Drill bit Ø 89 mm Speed SB	3000125
2	Chuck	1500004
3	Bit retainer	1002876
4	Seal kit	1, 2 1002081
5	Hammer case Ø 78 mm	1500203-78
	Hammer case Ø 85 mm	1500203-85
6	Piston bushing	1, 2 1000218
7	Inner tube	1000225
8	Piston	1, 2 1000215

Pos	Detail	Part no
9	House retainer	2 1001619
10	Sliding case	2 1001645
11	Valve house	2 1001620
12	Valve	2 1001563
13	Sleeve	1001410
14	Lid	2 1001274
15	Filter	1, 2 1001138
16	Filter support	1000227
17	Backhead WT70 Pin	1001439

<i>Spare part kit 1</i>	1002272
<i>Spare part kit 2</i>	1002263

1400019, W70.212 product data sheet, 2017.01. All specifications can be changed without notice.