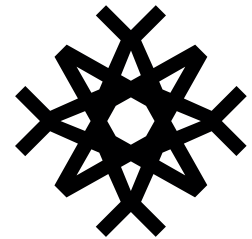



# WATER-POWERED DRILLING

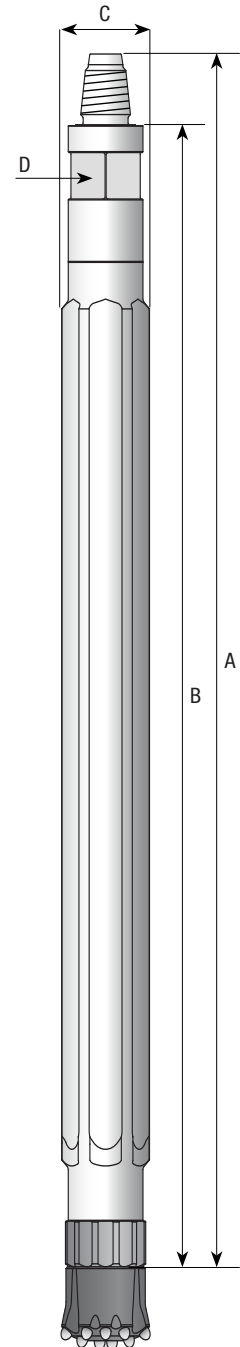
## TECHNICAL SPECIFICATION: W100 HAMMER



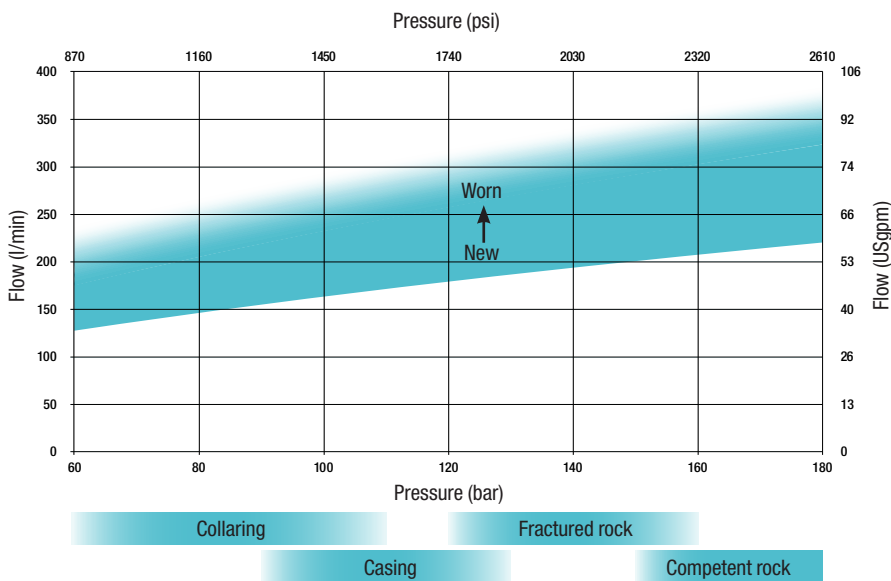
**wassara**

The Wassara technology uses water to power the DTH hammer. This makes it the ideal choice for drilling in sensitive areas as well as for drilling long straight holes. The water-powered hammer is capable of penetrating almost any formation while maintaining speed and accuracy.

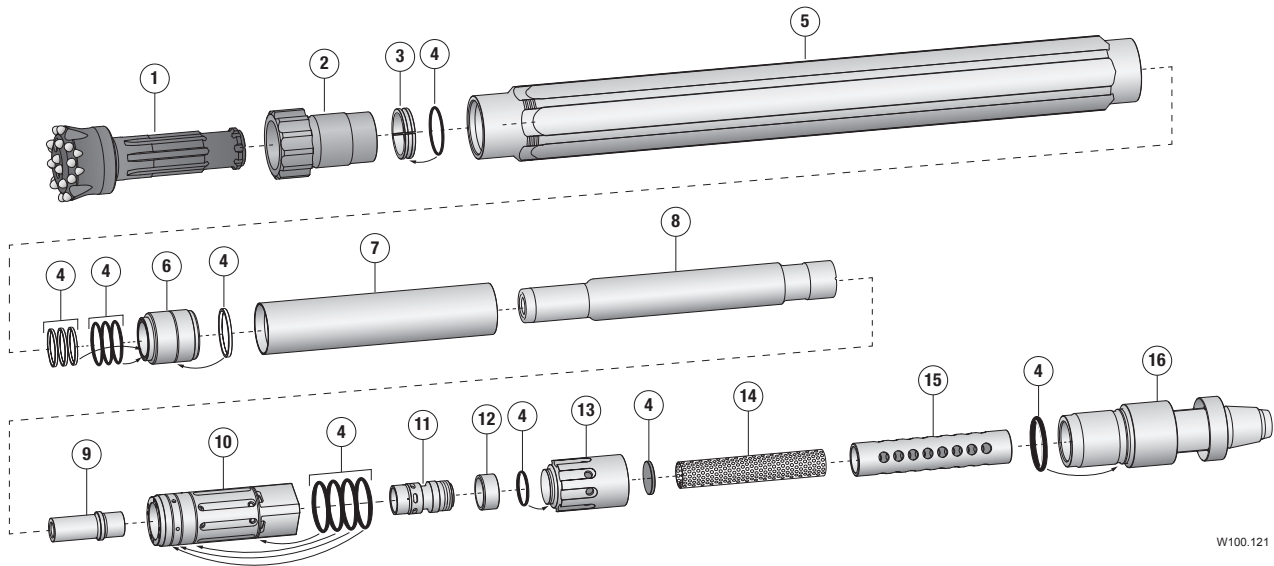
Technical specifications – W100.121	
<b>Length A</b>	1 306 mm (51.4")
<b>Length B</b>	1 230 mm (48.4")
<b>Diameter C</b>	Ø 111 / 116 / 123 mm (4.4 / 4.6 / 4.8")
<b>Size D</b> 	64 mm (2.5")
<b>Weight (excl. drill bit)</b>	56.5 kg (124.6 lbs)
<b>Bit diameter</b>	Ø 115 / 120 / 127 mm (4.5 / 4.7 / 5.0")
<b>Operating pressure interval</b>	60 - 180 bar (870 - 2 610 psi)
<b>Water consumption interval</b>	130 - 354 l/min (34 - 94 USgpm) new to worn
<b>Frequency at maximum operating pressure</b>	65 Hz (3 900 blows/min)
<b>Feed force, formation dependant</b>	8 000 - 20 000 N (1 800 - 4 500 lbf)
<b>Rotation speed, formation dependant</b>	50 - 90 rpm
<b>Rotation torque, formation dependant</b>	1 000 - 2 000 Nm (740 - 1 480 lbf-ft)
<b>Drill rod</b>	Wassara Drill rod Ø 89 mm (3½"), Thread API 2 3/8" Reg
<b>Recommended water pump</b>	WASP100D / WASP100E VSD, 360 l/min (95 USgpm) @ 200 bar (2 900 psi)
<b>Bit shank</b>	Wassara 340



### WATER PRESSURE/FLOW CHART



# PARTS LIST: W100.121



W100.121

Pos	Detail	Part no
	<b>Hammer W100, Ø 111 mm</b>	0013000-111
	<b>Hammer W100, Ø 116 mm</b>	0013000-116
	<b>Hammer W100, Ø 123 mm</b>	0013000-123
<b>1</b>	Drill bit Ø 115 mm, Speed SB	3000021
	Drill bit Ø 120 mm, Convex SB	3000029
	Drill bit Ø 127 mm, Convex SB	3000031
<b>2</b>	Chuck	1000803
<b>3</b>	Bit retainer	1002879
<b>4</b>	Seal kit	1,2 1002078
<b>5</b>	Hammer case Ø 111 mm	1500787-111
	Hammer case Ø 116 mm	1500787-116
	Hammer case Ø 123 mm	1500787-123
<b>6</b>	Piston bushing	1,2 0033001

Pos	Detail	Part no
<b>7</b>	Inner tube	1000129
<b>8</b>	Piston	1,2 1000798
<b>9</b>	Sliding case	0043007
<b>10</b>	Valve house	2 0013008
<b>11</b>	Valve	2 1000345
<b>12</b>	Sleeve	1000165
<b>13</b>	Guided lid	1000999
<b>14</b>	Filter	1,2 0040613
<b>15</b>	Filter support	0030337
<b>16</b>	Backhead API 2 3/8" Reg Pin	1000292

<i>Spare part kit 1</i>	1002219
<i>Spare part kit 2</i>	1002220