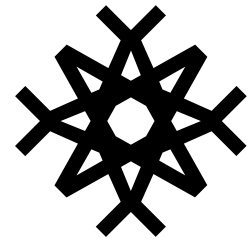



# WATER-POWERED DRILLING

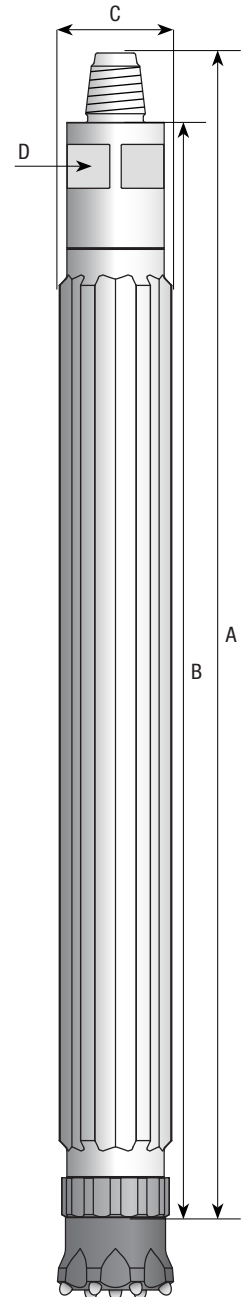
## TECHNICAL SPECIFICATION: W150 HAMMER



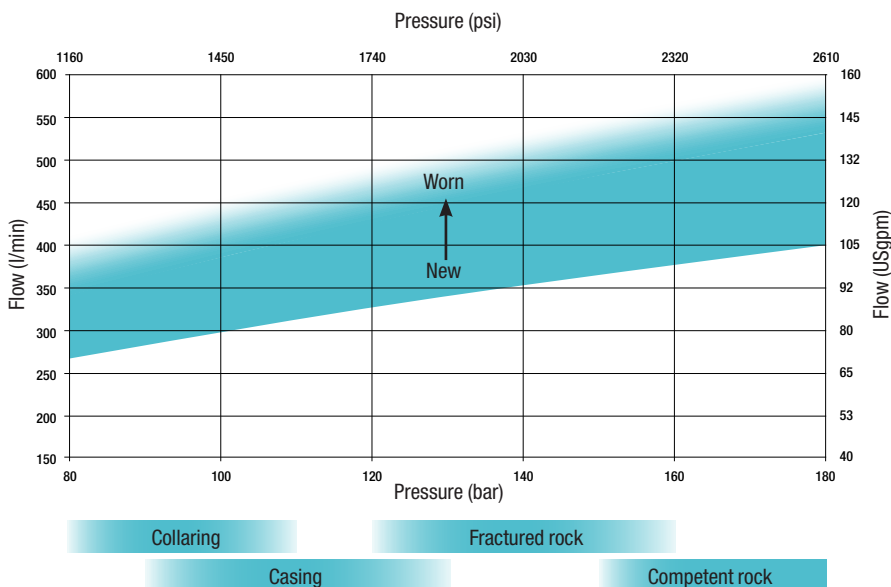
**wassara**

The Wassara technology uses water to power the DTH hammer. This makes it the ideal choice for drilling in sensitive areas as well as for drilling long straight holes. The water-powered hammer is capable of penetrating almost any formation while maintaining speed and accuracy.

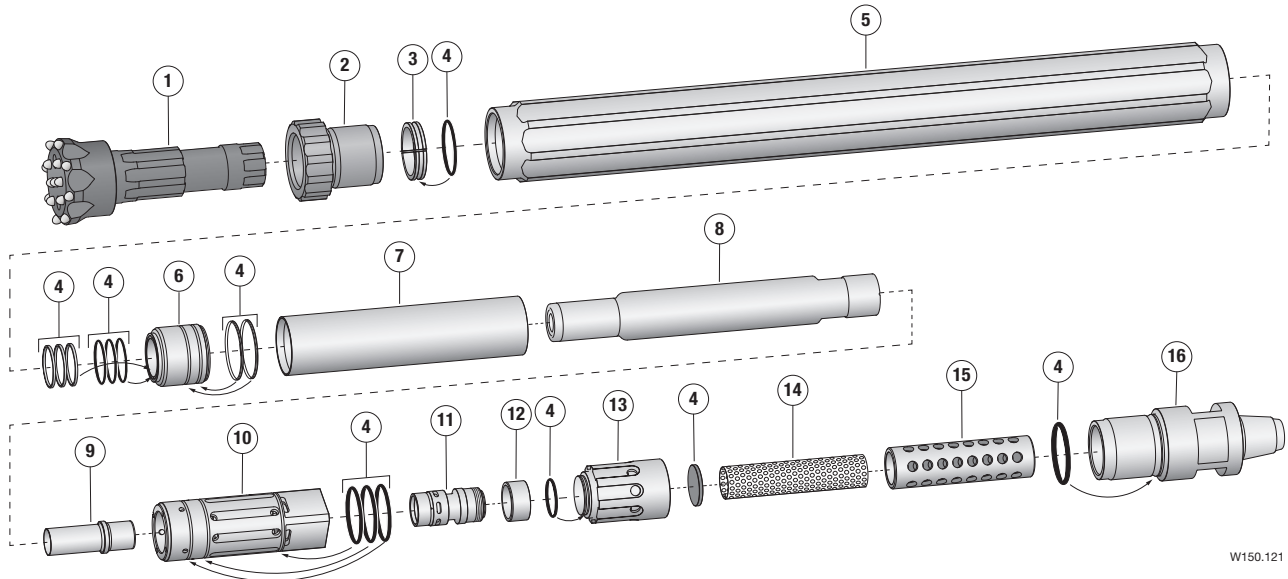
Technical specifications – W150.121	
<b>Length A</b>	1 754 mm (69")
<b>Length B</b>	1 659 mm (65")
<b>Diameter C</b>	Ø 160 / 173 / 185 / 198 mm (6.3 / 6.8 / 7.3 / 7.8")
<b>Size D</b> 	110 mm (4.3")
<b>Weight (excl. bit)</b>	180 kg (397 lbs)
<b>Bit diameter</b>	Ø 165 / 178 / 190 / 203 mm (6.5 / 7.0 / 7.5 / 8.0")
<b>Operating pressure interval</b>	80 - 180 bar (1 160 - 2 610 psi)
<b>Water consumption interval</b>	270 - 570 l/min (70 - 150 USgpm) new to worn
<b>Frequency at maximum operating pressure</b>	45 Hz (2 700 blows/min)
<b>Feed force, formation dependant</b>	15 000 - 30 000 N (3 370 - 6 750 lbf)
<b>Rotation speed, formation dependant</b>	40 - 65 rpm
<b>Rotation torque, formation dependant</b>	2 000 - 4 000 Nm (1 475 - 2 950 lbf-ft)
<b>Drill rod</b>	Wassara Drill Rod Ø 114 / 140 mm (4.5 / 5.5"), Thread API 3½" Reg
<b>Recommended water pump</b>	WASP200D / WASP200E VSD, 610 l/min (160 USgpm) @ 200 bar (2 900 psi)
<b>Bit shank</b>	Wassara 360



### WATER PRESSURE/FLOW CHART



# PARTS LIST: W150.121



W150.121

Pos	Detail	Part no
	<b>Hammer W150, Ø 160 mm</b>	1500060-160
	<b>Hammer W150, Ø 173 mm</b>	1500060-173
	<b>Hammer W150, Ø 185 mm</b>	1500060-185
	<b>Hammer W150, Ø 198 mm</b>	1500060-198
<b>1</b>	Drill bit Ø 165 mm, Convex SB	3000062
	Drill bit Ø 178 mm, Convex SB	3000128
	Drill bit Ø 190 mm, Convex SB	3000064
	Drill bit Ø 203 mm, Convex SB	3000041
<b>2</b>	Chuck	1001276
<b>3</b>	Bit retainer	1002881
<b>4</b>	Seal kit	1,2 1002613
<b>5</b>	Hammer case Ø 160 mm	1500054-160
	Hammer case Ø 173 mm	1500054-173
	Hammer case Ø 185 mm	1500054-185
	Hammer case Ø 198 mm	1500054-198

Pos	Detail	Part no
<b>6</b>	Piston bushing	1,2 0030981
<b>7</b>	Inner tube	1500100
<b>8</b>	Piston	1,2 0010983
<b>9</b>	Sliding case	2 1500099
<b>10</b>	Valve house	2 1500055
<b>11</b>	Valve	2 1500057
<b>12</b>	Sleeve	1500056
<b>13</b>	Guided lid	1500058
<b>14</b>	Filter	1,2 1500063
<b>15</b>	Filter support	1500059
<b>16</b>	Backhead API 3½" Reg pin	1500061

<i>Spare part kit 1</i>	1002630
<i>Spare part kit 2</i>	1002631

1400023, W150.121 product data sheet, 2015.01. All specifications can be changed without notice.