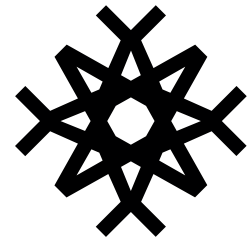



# WATER-POWERED DRILLING

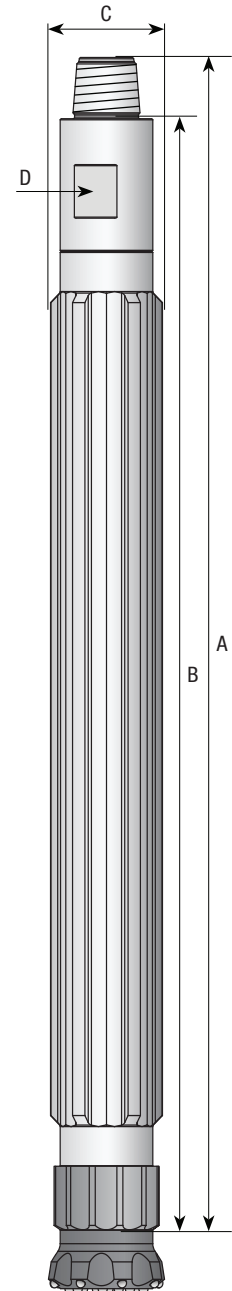
## TECHNICAL SPECIFICATION: W200 HAMMER



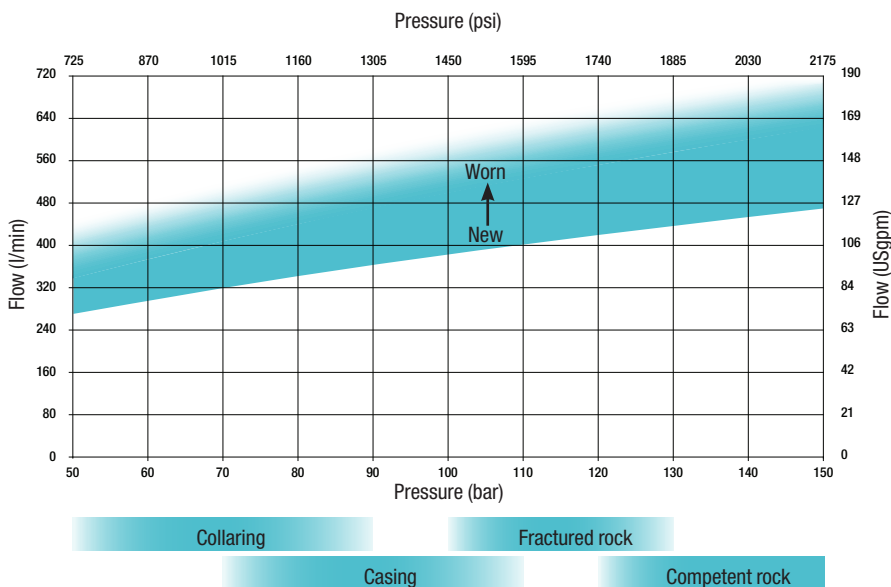
**wassara**

The Wassara technology uses water to power the DTH hammer. This makes it the ideal choice for drilling in sensitive areas as well as for drilling long straight holes. The water-powered hammer is capable of penetrating almost any formation while maintaining speed and accuracy.

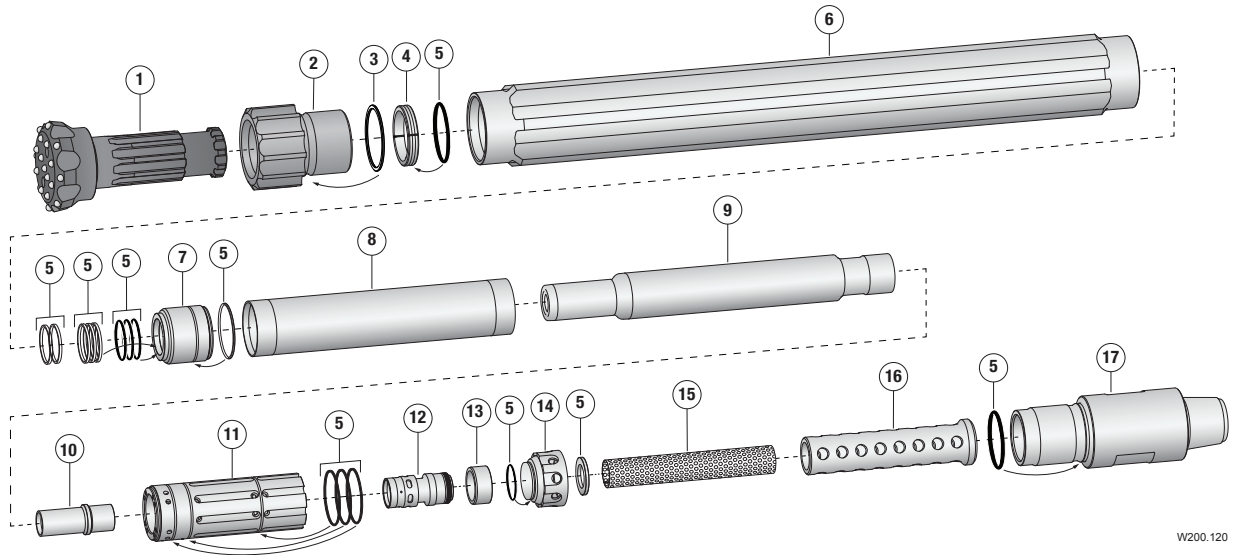
Technical specifications – W200.120	
<b>Length A</b>	2 188 mm (86.1")
<b>Length B</b>	2 073 mm (81.6")
<b>Diameter C</b>	Ø 210 / 248 mm (8.3 / 9.8")
<b>Size D</b> 	160 mm (6.3")
<b>Weight (excl. drill bit)</b>	347 kg (765 lbs) / 385 kg (849 lbs)
<b>Bit diameter</b>	Ø 216 / 254 mm (8.5 / 10")
<b>Operating pressure interval</b>	50 - 150 bar (725 - 2 175 psi)
<b>Water consumption interval</b>	280 - 744 l/min (73 - 197 USgpm) new to worn
<b>Frequency at maximum operating pressure</b>	30 Hz (1 800 blows/min)
<b>Feed force, formation dependant</b>	30 000 N (6 750 lbf)
<b>Rotation speed, formation dependant</b>	25 - 50 rpm
<b>Rotation torque, formation dependant</b>	3 000 - 5 000 Nm (2 200 - 3 660 lbf-ft)
<b>Drill rod</b>	Wassara Drill rod Ø 168 / 194 mm (6.6 / 7.6"), Thread API 4½" IF
<b>Recommended water pump</b>	WASP200D / WASP200E VSD 800 l/min (211 USgpm) @ 160 bar (2 320 psi)
<b>Bit shank</b>	Wassara 380



### WATER PRESSURE/FLOW CHART



# PARTS LIST: W200.120



W200.120

Pos	Detail	Part no
	<b>Hammer W200, Ø 210 mm</b>	1501396-210
	<b>Hammer W200, Ø 248 mm</b>	1501396-248
<b>1</b>	Drill bit Ø 216 mm, Convex SB	3000079
	Drill bit Ø 254 mm, Convex SB	3000085
<b>2</b>	Chuck	1003503
<b>3</b>	Thrust washer	1500711
<b>4</b>	Bit retainer	1002882
<b>5</b>	Seal kit	1, 2 1003154
<b>6</b>	Hammer case Ø 210 mm	1500833-210
	Hammer case Ø 248 mm	1500833-248
<b>7</b>	Piston bushing	1, 2 1501379
<b>8</b>	Inner tube	1500101

Pos	Detail	Part no
<b>9</b>	Piston	1, 2 1501380
<b>10</b>	Sliding case	1000570
<b>11</b>	Valve house	2 0013019
<b>12</b>	Valve	2 0023020
<b>13</b>	Sleeve	0043023
<b>14</b>	Guided lid	1500159
<b>15</b>	Filter	1, 2 1001658
<b>16</b>	Filter support	1001391
<b>17</b>	Backhead API 4½" IF	1500223

<i>Spare part kit 1</i>	1003155
<i>Spare part kit 2</i>	1003156

1400095, W200.120 product data sheet, 2019.01. All specifications can be changed without notice.