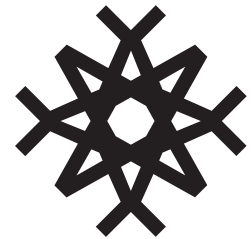



WATER-POWERED DRILLING

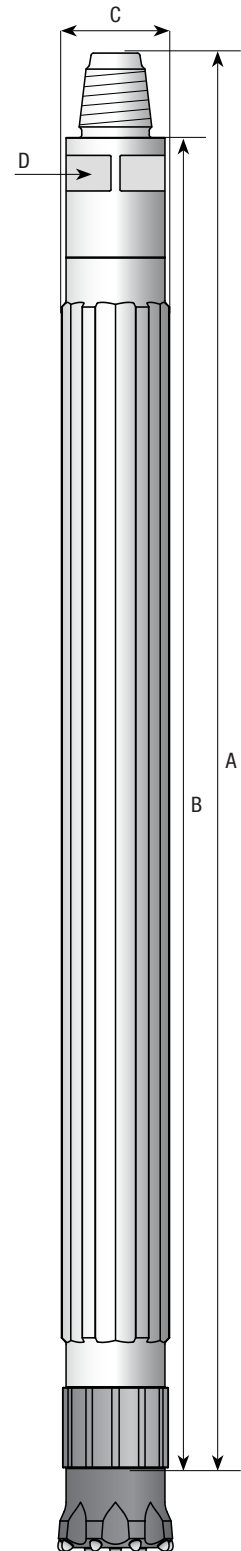
TECHNICAL SPECIFICATION: W120.G3 HAMMER



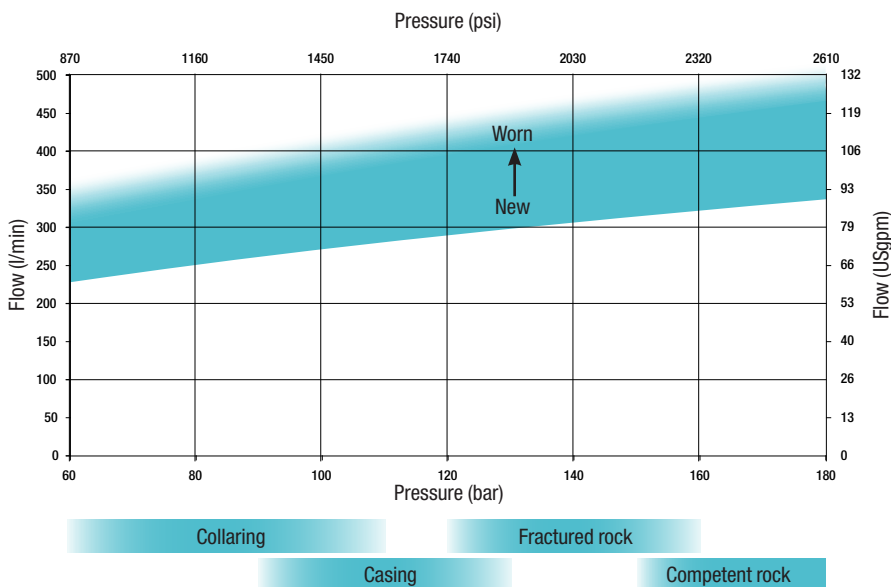
Wassara

The Wassara technology uses water to power the DTH hammer. This makes it the ideal choice for drilling in sensitive areas as well as for drilling long straight holes. The water-powered hammer is capable of penetrating almost any formation while maintaining speed and accuracy.

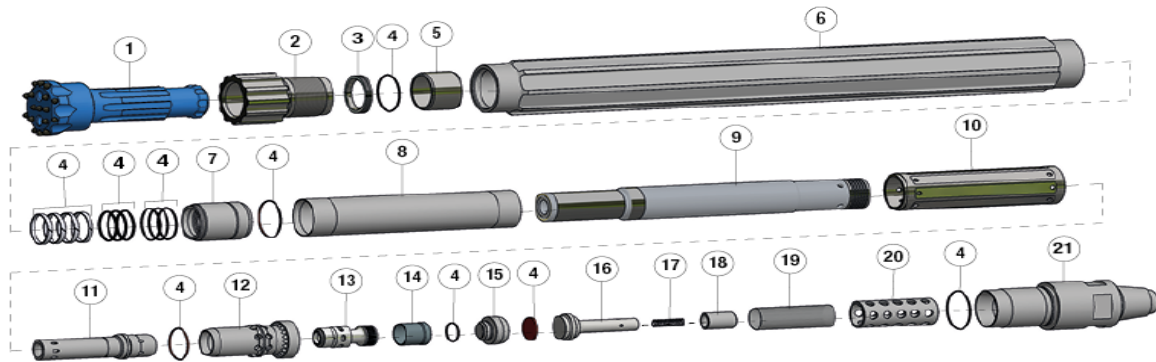
Technical specifications – W120.G3	
Length A	1 590 mm (62.6")
Length B	1 495 mm (59")
Diameter C	Ø 126 mm (5")
Size D 	90 mm (3.5")
Weight (excl. drill bit)	108 kg (237 lbs)
Bit diameter	Ø 130 mm (5")
Operating pressure interval	60 - 180 bar (870 - 2 610 psi)
Water consumption interval	240 - 500 l/min (63 - 132 USgpm) new to worn
Frequency at maximum operating pressure	54 Hz (3 240 blows/min)
Feed force, formation dependant	12 000 - 24 000 N (2 700 - 5 400 lbf)
Rotation speed, formation dependant	45 - 75 rpm
Rotation torque, formation dependant	1 500 - 3 000 Nm (1 100 - 2 210 lbf-ft)
Drill rod	Wassara Drill rod Ø 102 mm (4"), Thread API 3½" Reg
Recommended water pump	WASP200D / WASP200E VSD, 610 l/min (160 USgpm) @ 200 bar (2 900 psi)
Bit shank	Wassara 350



WATER PRESSURE/FLOW CHART



PARTS LIST: W120.G3



Pos	Detail	Part no
	Hammer W120.G3, Ø126 mm	1501600-126
	Hammer W120.G3, Ø136 mm	1501600-136
	Hammer W120.G3, Ø148mm	1501600-148 *
1	Drill bit Ø 130 mm, Convex SB	3000013
	Drill bit Ø 140 mm, Convex SB	3000059
2	Chuck	1000547
3	Bit retainer	1002880
4	Seal kit	1,2 1003419
5	Guide sleeve	1000549
6	Hammer case, Ø 126 mm	1001057-126
7	Piston bushing	2 1501594
8	Inner tube	1001061
9	Piston	1,2 1000924
10	House retainer	1501595
11	Sliding case	1,2 1501601

Pos	Detail	Part no
12	Valve house	1501602
13	Valve	2 1000929
14	Sleeve	1501629
15	Lid	1000932
16	Check valve shutter guide	1501636
17	Check valve spring	1002139
18	Check valve shutter	1501341
19	Filter	2 1501637
20	Filter support	1501327
21	Backhead API 3½" Reg pin	1501613

<i>Spare part kit 1</i>	1003420
<i>Spare part kit 2</i>	1003421

*) Availability on request