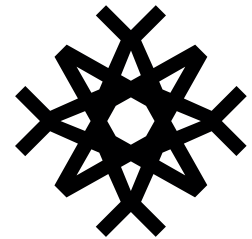



# WATER-POWERED DRILLING

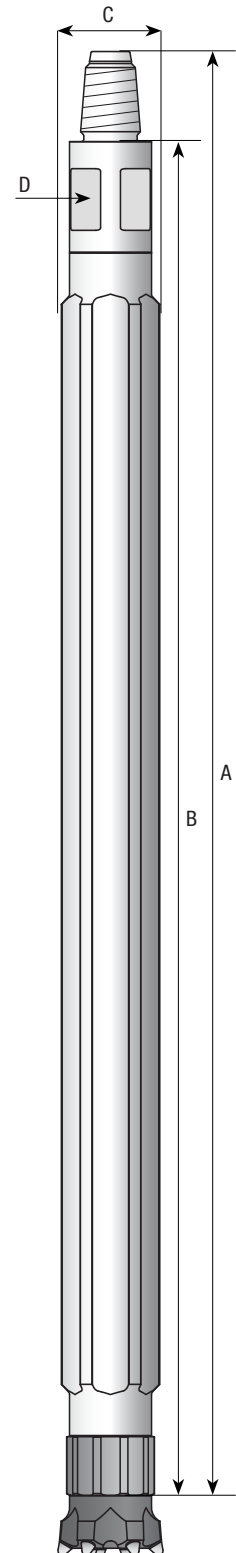
## TECHNICAL SPECIFICATION: W70 HAMMER



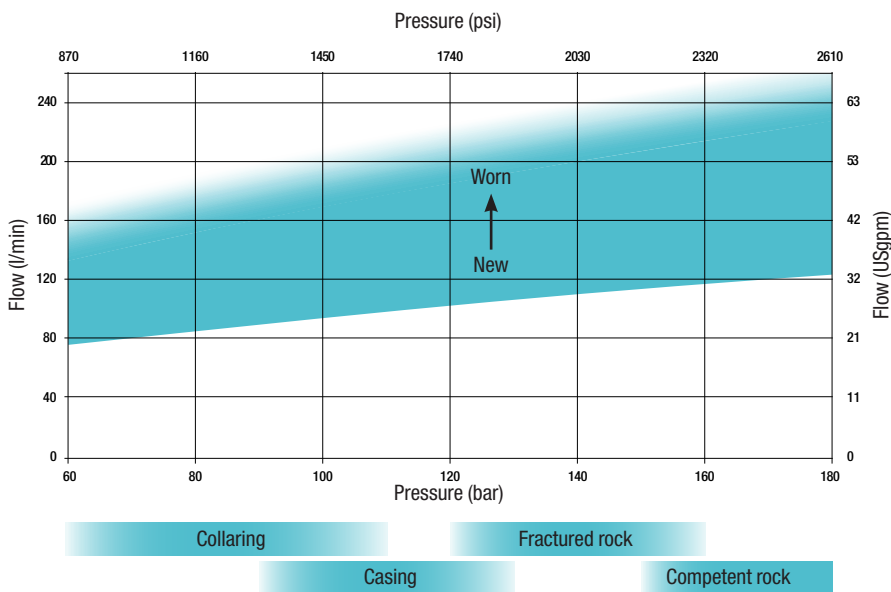
**Wassara**

The Wassara technology uses water to power the DTH hammer. This makes it the ideal choice for drilling in sensitive areas as well as for drilling long straight holes. The water-powered hammer is capable of penetrating almost any formation while maintaining speed and accuracy.

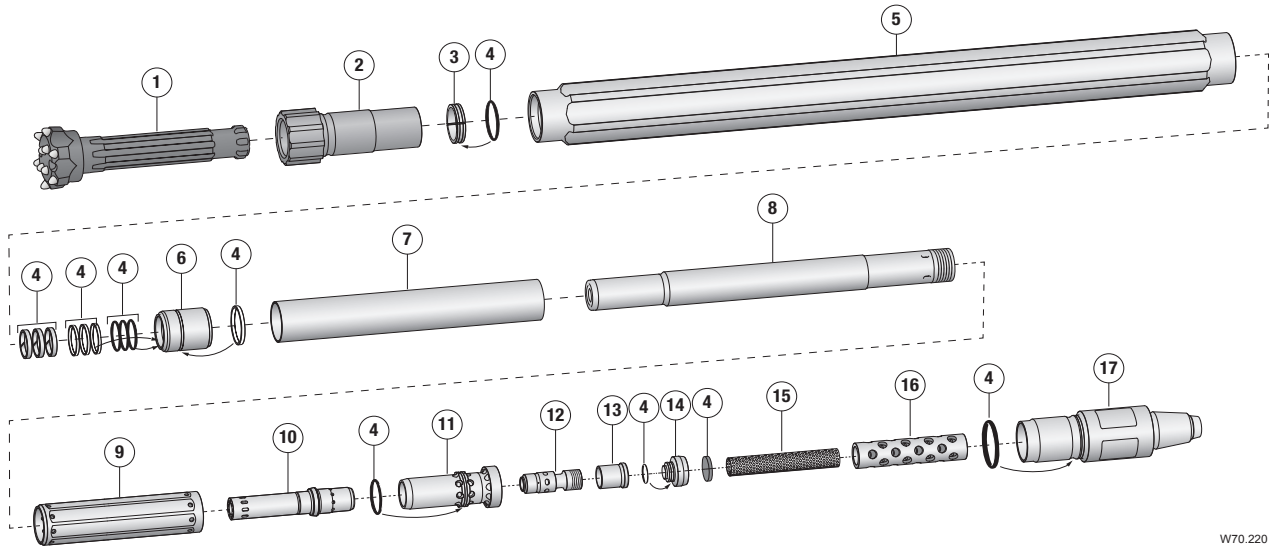
Technical specifications – W70.220	
<b>Length A</b>	1 171 mm (46")
<b>Length B</b>	1 098 mm (43")
<b>Diameter C</b>	Ø 78 / 85 mm (3.1 / 3.3")
<b>Size D</b> 	60 mm (2.4")
<b>Weight</b>	23 kg (50.7 lbs)
<b>Bit diameter</b>	Ø 82 / 89 mm (3.2 / 3.5")
<b>Operating pressure interval</b>	60 - 180 bar (870 - 2 610 psi)
<b>Water consumption interval</b>	70 - 270 l/min (18 - 70 USgpm) new to worn
<b>Frequency at maximum operating pressure</b>	70 Hz (4 200 blows/min)
<b>Feed force, formation dependant</b>	7 000 - 10 000 N (1 575 - 2 250 lbf)
<b>Rotation speed, formation dependant</b>	80 - 120 rpm
<b>Rotation torque, formation dependant</b>	800 - 1 500 Nm (590 - 1 100 lbf-ft)
<b>Drill rod</b>	Wassara Drill rod Ø 63.5 mm (2.5"), Thread WT70
<b>Recommended water pump</b>	WASP100D / WASP100E VSD 360 l/min (95 USgpm) @ 200 bar (2 900 psi)
<b>Bit shank</b>	W-Bit 70



### WATER PRESSURE/FLOW CHART



# PARTS LIST: W70.220



W70.220

Pos	Detail	Part no
	<b>Hammer W70, Ø 78 mm</b>	1002810-78
	<b>Hammer W70, Ø 85 mm</b>	1002810-85
<b>1</b>	Drill bit Ø 82 mm Convex SB	3000196
	Drill bit Ø 89 mm Speed SB	3000125
<b>2</b>	Chuck	1500004
<b>3</b>	Bit retainer	1002876
<b>4</b>	Seal kit	1, 2 1002081
<b>5</b>	Hammer case Ø 78 mm	1500203-78
	Hammer case Ø 85 mm	1500203-85
<b>6</b>	Piston bushing	1, 2 1001647
<b>7</b>	Inner tube	1000225
<b>8</b>	Piston	1, 2 1000215

Pos	Detail	Part no
<b>9</b>	House retainer	2 1500974
<b>10</b>	Sliding case	2 1001645
<b>11</b>	Valve house	2 1001620
<b>12</b>	Valve	2 1001563
<b>13</b>	Sleeve	1001410
<b>14</b>	Lid	2 1001274
<b>15</b>	Filter	1, 2 1001138
<b>16</b>	Filter support	1000227
<b>17</b>	Backhead WT70 Pin	1001439

*Spare part kit 1*

1002272

*Spare part kit 2*

1002763