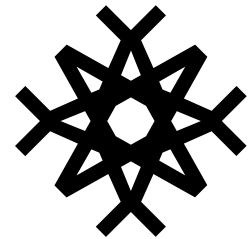


WATER-POWERED DRILLING

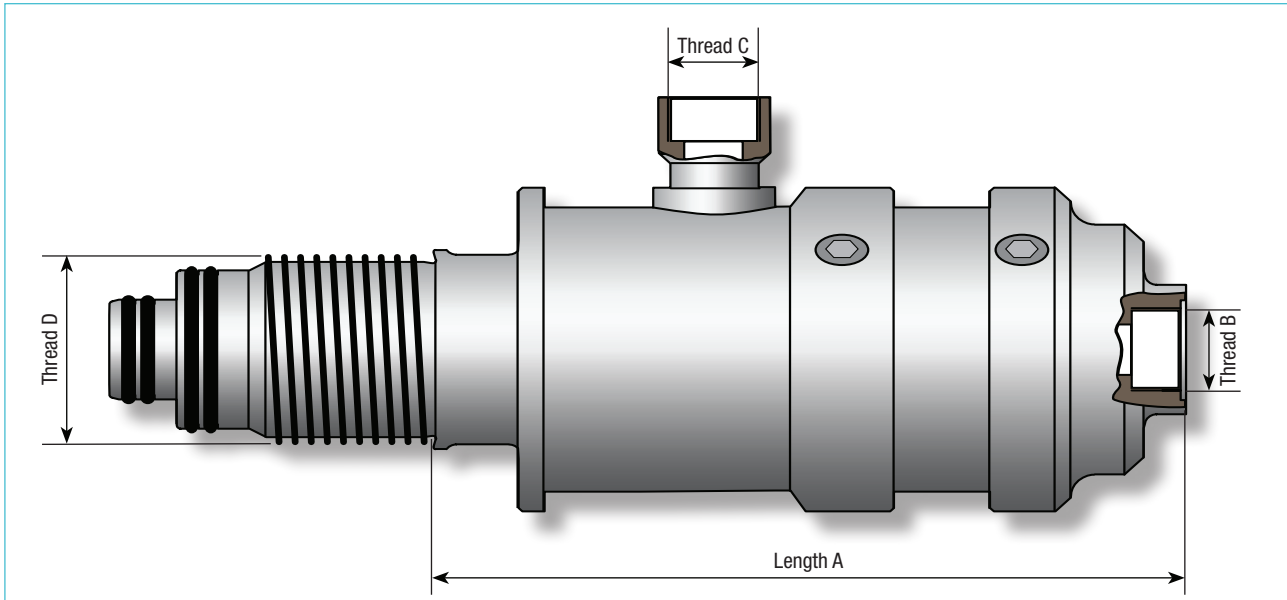
TECHNICAL SPECIFICATION

WASSARA DUPLEX SWIVEL



Wassara

The *Wassara Duplex Swivel* transfers high pressure drilling water and grout from the drill rig to the rotating duplex drill string.



| Technical specifications – Duplex Swivel | |
|--|----------------------------|
| Wassara Part No. | 1002408 |
| For Hammer | Jet Grouting Hammer W100JG |
| Pressure, max. (grout connection) | 600 bar (8 700 psi) |
| Pressure, max. (water connection) | 500 bar (7 250 psi) |
| Flow, max. (grout connection) | 12 000 l/min (3 170 USgpm) |
| Flow, max. (water connection) | 11 000 l/min (2 900 USgpm) |
| Rotation, max. | 95 rpm |
| Weight | 68 kg (150 lbs) |
| High pressure water hose connection | G 1½" |
| High pressure grout hose connection | G 1½" |
| Drill tube connection | D 114.3, 2 starts cyl. RHT |
| Length A | 390 mm (15 3⁄8") |
| Thread B | G 1½" |
| Thread C | G 1½" |
| Thread D | D 114.3, 2 starts cyl. RHT |
| Service kit Part No. | 1002797 |

| Tool | Part No. | Weight |
|--------------------|----------|------------------|
| Hook wrench | 1002947 | 1.5 kg (4 lbs) |
| Hand wrench 110 mm | 1500722 | 3.5 kg (9.4 lbs) |

1400095, Wassara Duplex Swivel product data sheet, 2016.10. All specifications can be changed without notice.